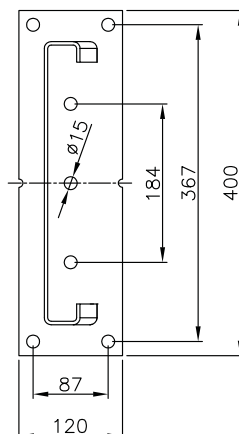
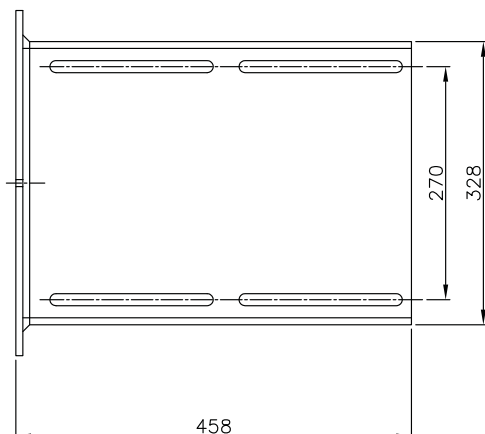


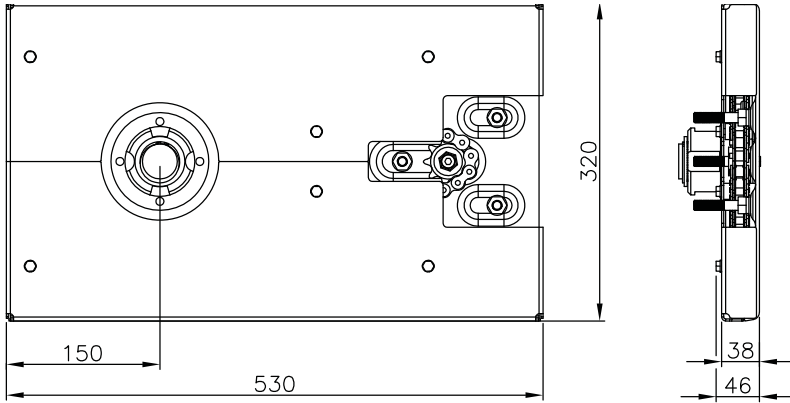
**SUPPORT FOR SAFETY  
BRAKE**

**TS-320**  
cod. 1389901



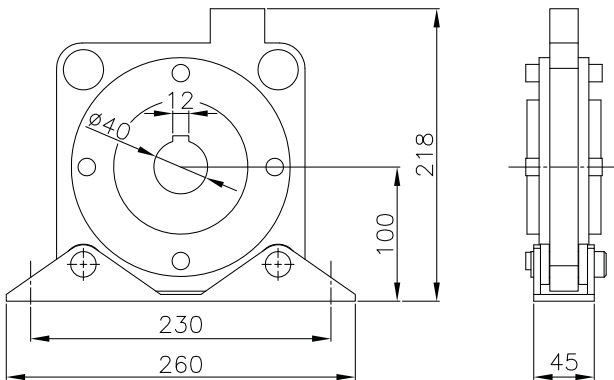
**SUPPORT FOR  
TRANSMISSION BRACKET**

**TS-310**  
cod. 1389910



## MOTOR BRACKETS TRANSMISSION

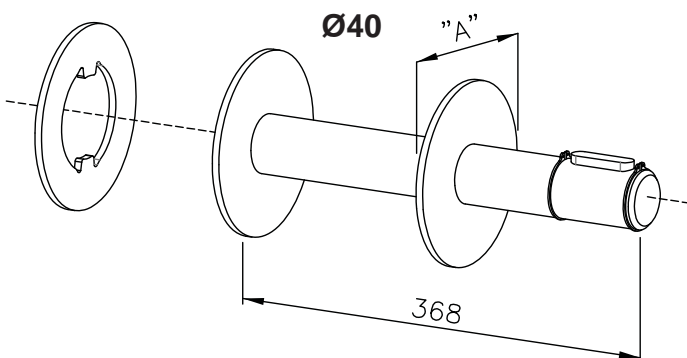
VERSION	WITH COVER	TRANSMISSION RATIO	R.P.M.	LIFT WITH SHAFT Ø133 (kg)	CODE
TS-300C	✓	1:6	4.6	600	1780023
TS-300B		1:6	4.6	600	1780013
TS-1000C	✓	1:3	9.3	300	1780020
TS-1000B		1:3	9.3	300	1780010



## SAFETY BRAKE

**TS-40**  
cod. 1380040

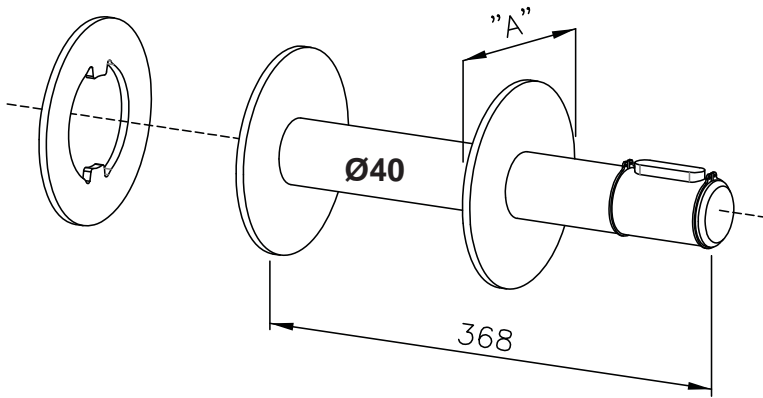
### EUROPEAN MEASURES



## SHAFT AND FLANGES KIT FOR TS-40 SAFETY BRAKE

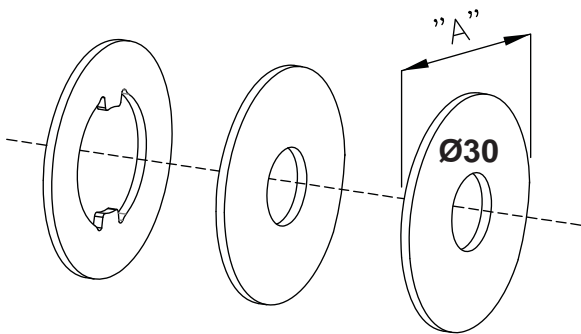
VERSION	"A" (mm)	Ø AXLE	CODE
TS-309P01	Ø97	Ø101.6x2	1730401
TS-309P02	Ø124,5	Ø133x4	1730403
TS-309P03	Ø149,5	Ø159x4.5	1730404
TS-309P04	Ø158,8	Ø168,3x4,5	1730406
TS-309P05	Ø167,3	Ø177.8x5	1730407
TS-309P06	Ø182,4	Ø193,7x5,4	1730408

**INCH MEASURES**



**SHAFT AND FLANGES KIT  
FOR TS-40 SAFETY BRAKE**

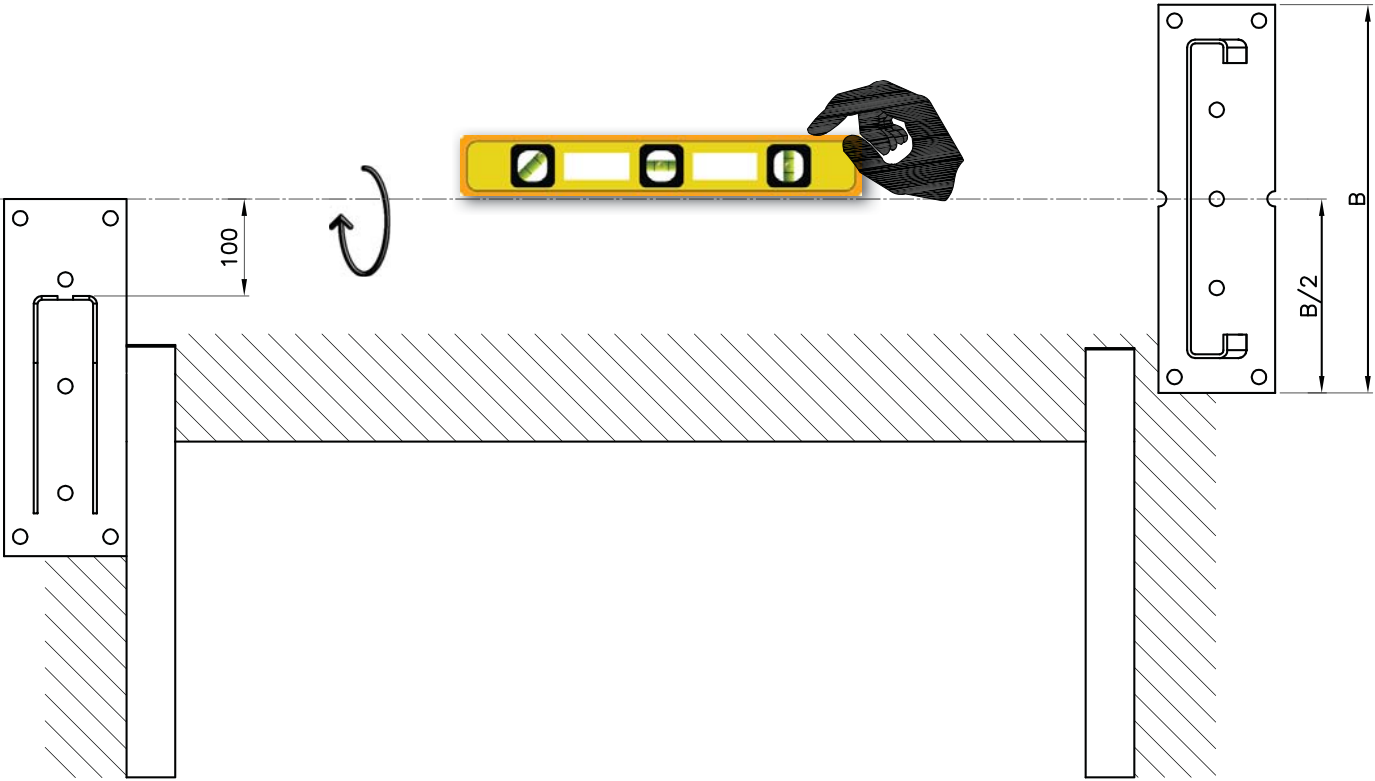
VERSION	"A" (Inch)	CODE
TS-309B-P01	4 inch (Ø104)	1731404
TS-309B-P02	5 inch (Ø131)	1731405
TS-309B-P03	6 inch (Ø154)	1731406
TS-309B-P04	8 inch (Ø204)	1731408



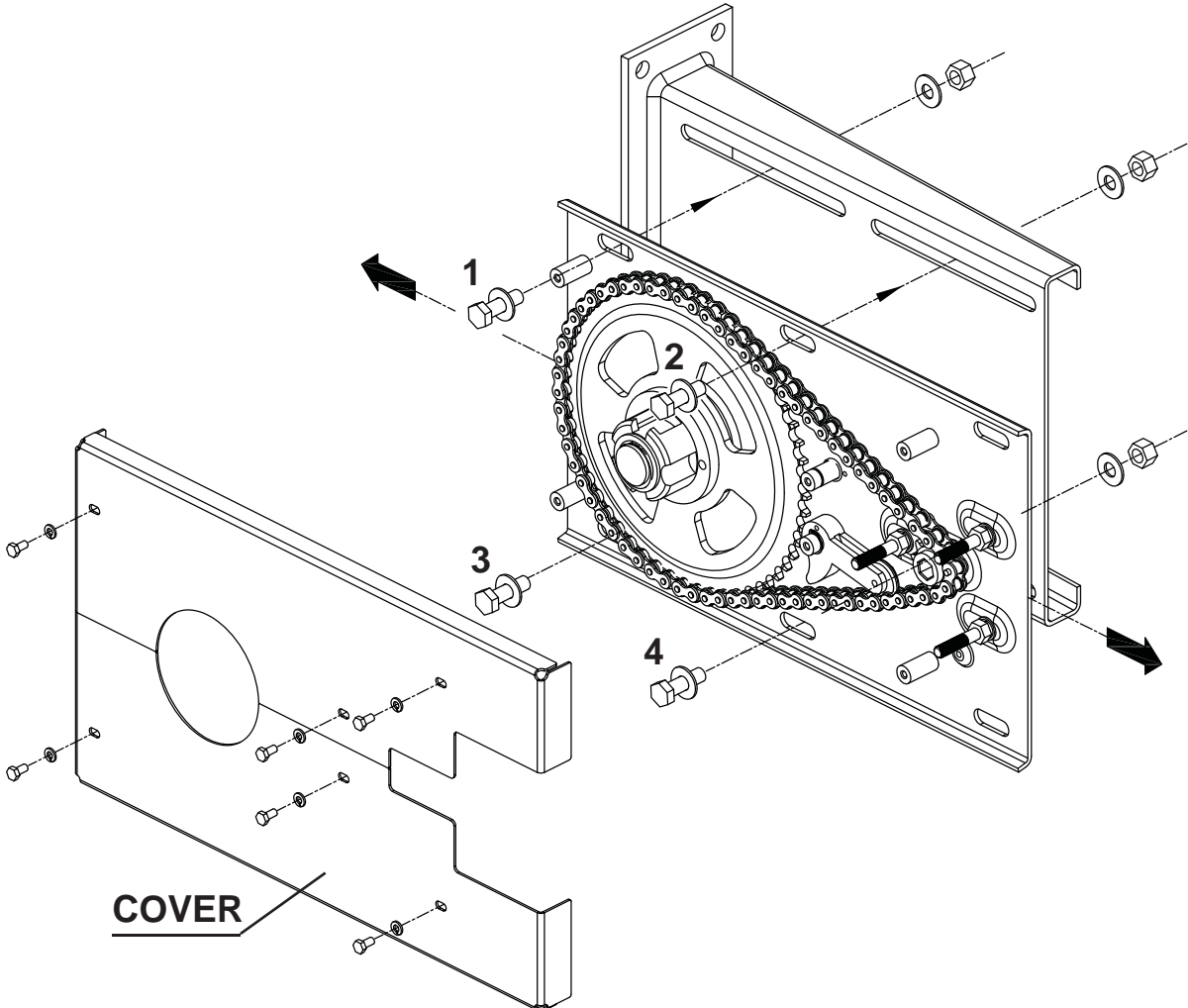
**FLANGES KIT  
FOR INCH WINDING  
SHAFT**

VERSION	"A" (Inch)	CODE
TS-307B-P01	4 inch (Ø104)	1730304
TS-307B-P02	5 inch (Ø131)	1730305
TS-307B-P03	6 inch (Ø154)	1730306
TS-307B-P04	8 inch (Ø204)	1730308

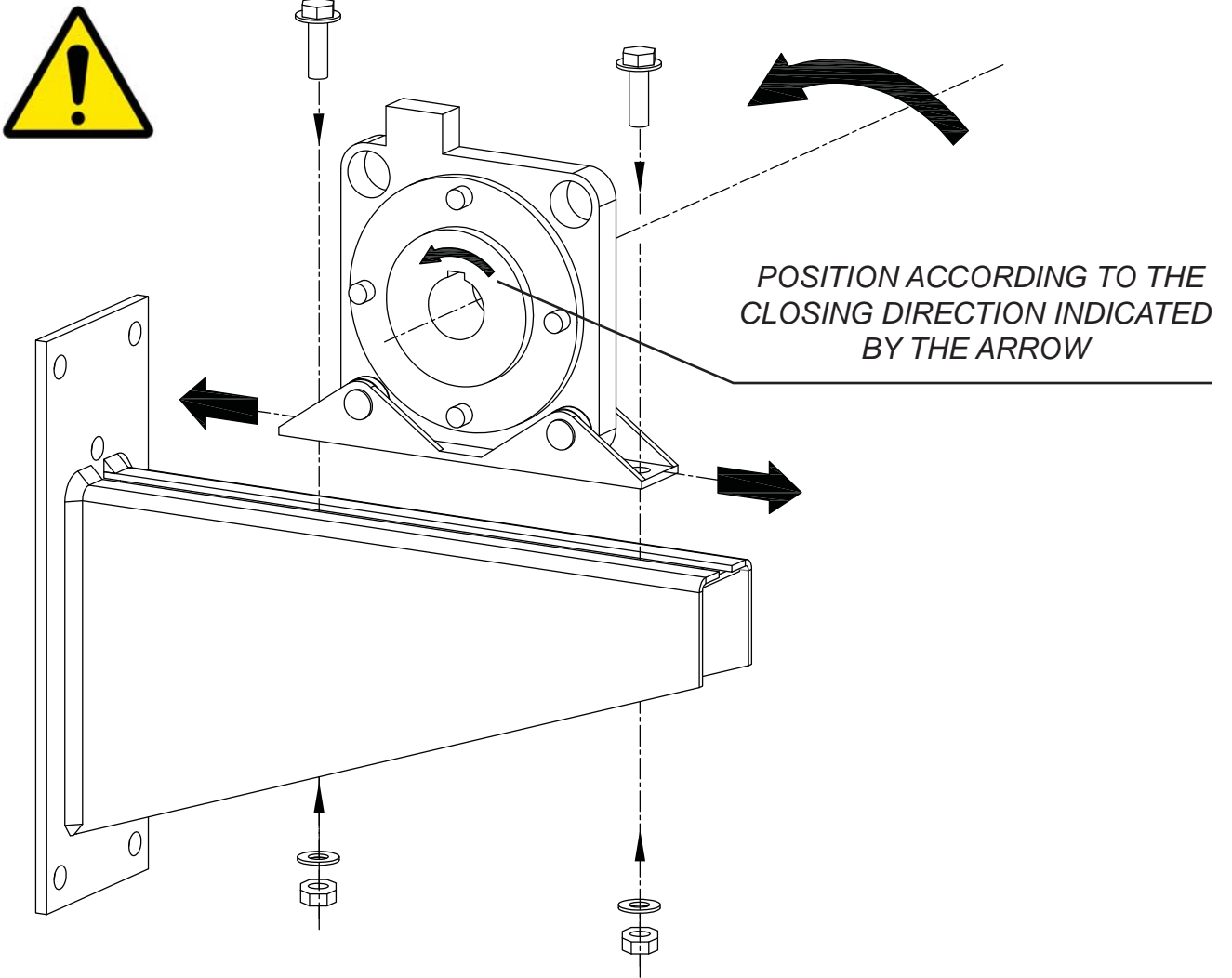
# BRACKETS ALIGNMENT



# FIXING TRANSMISSION BRACKET

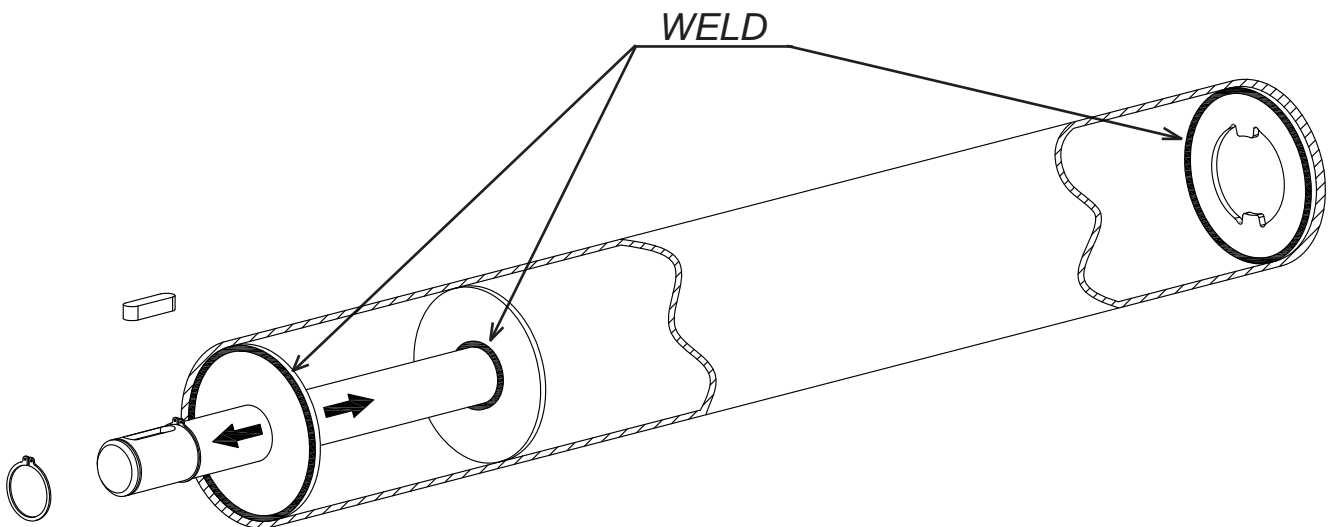


## FIXING OF SAFETY BRAKE

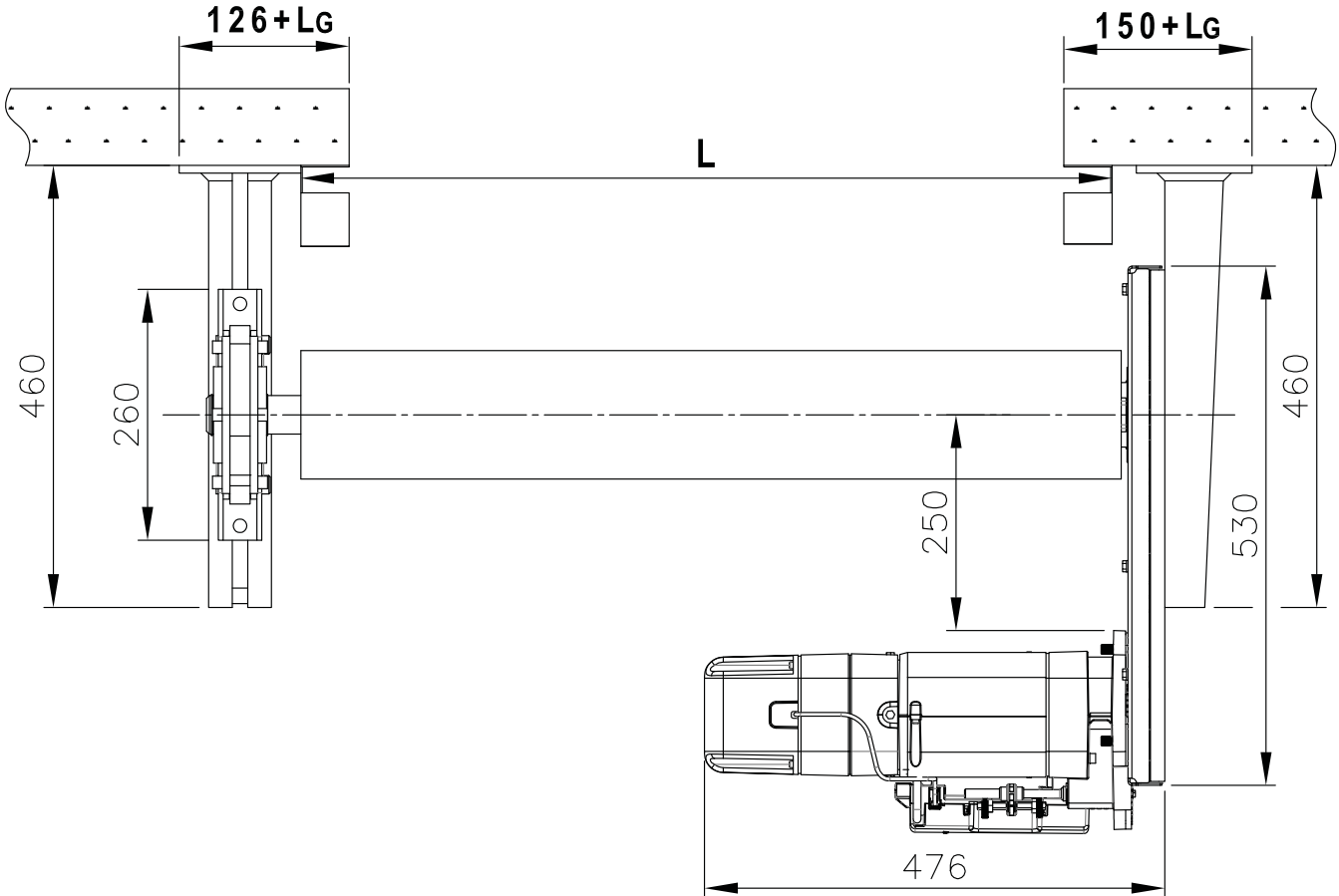
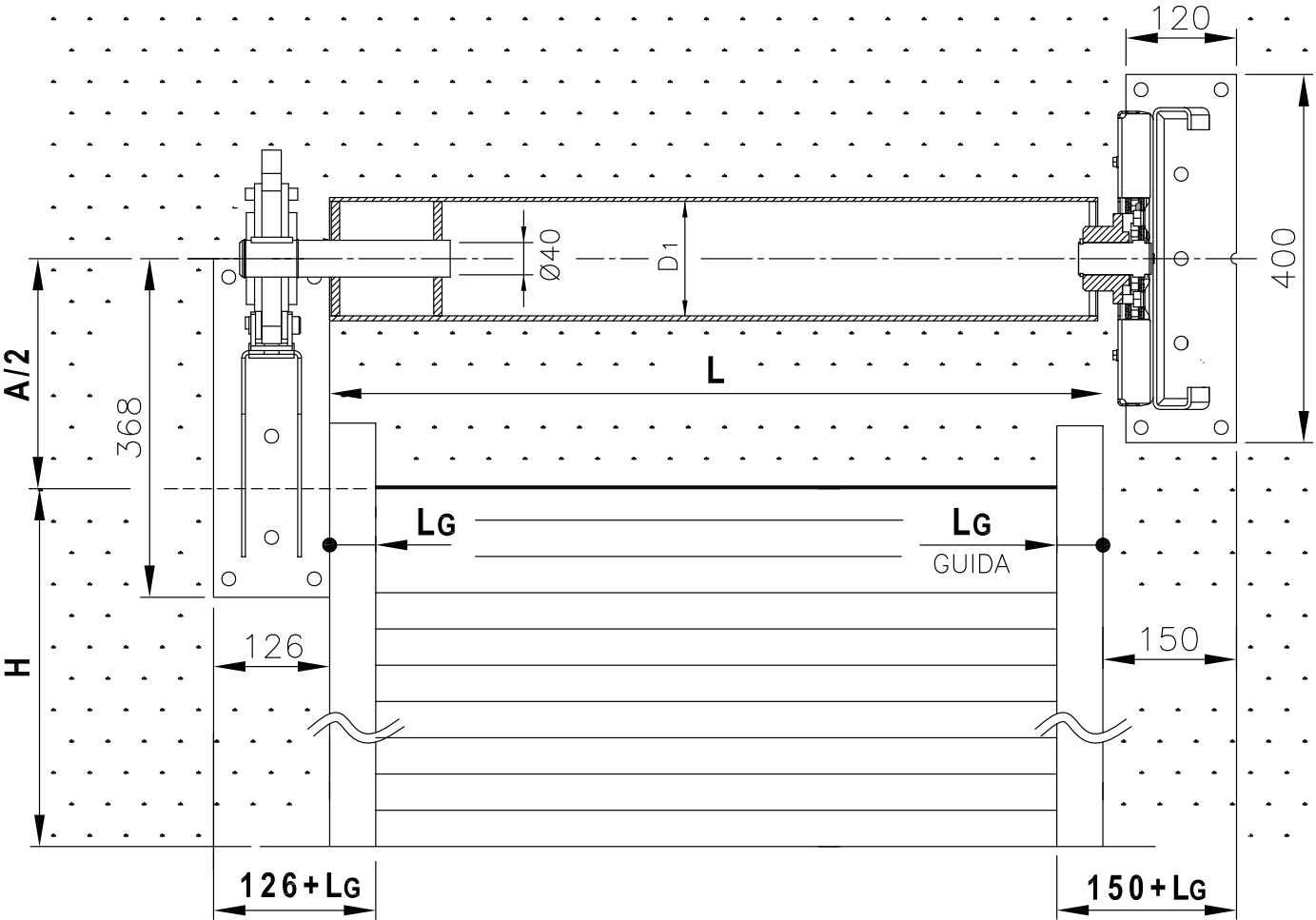


---

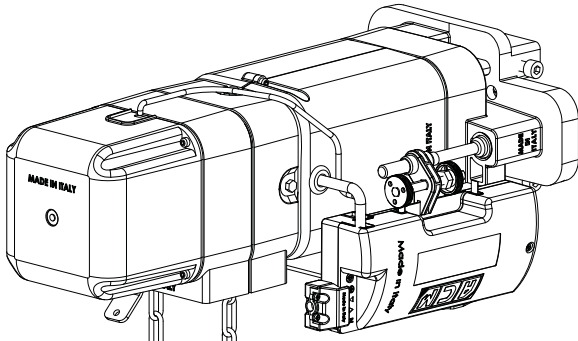
## WINDING SHAFT PREDISPOSITION



# TYPICAL INSTALLATION

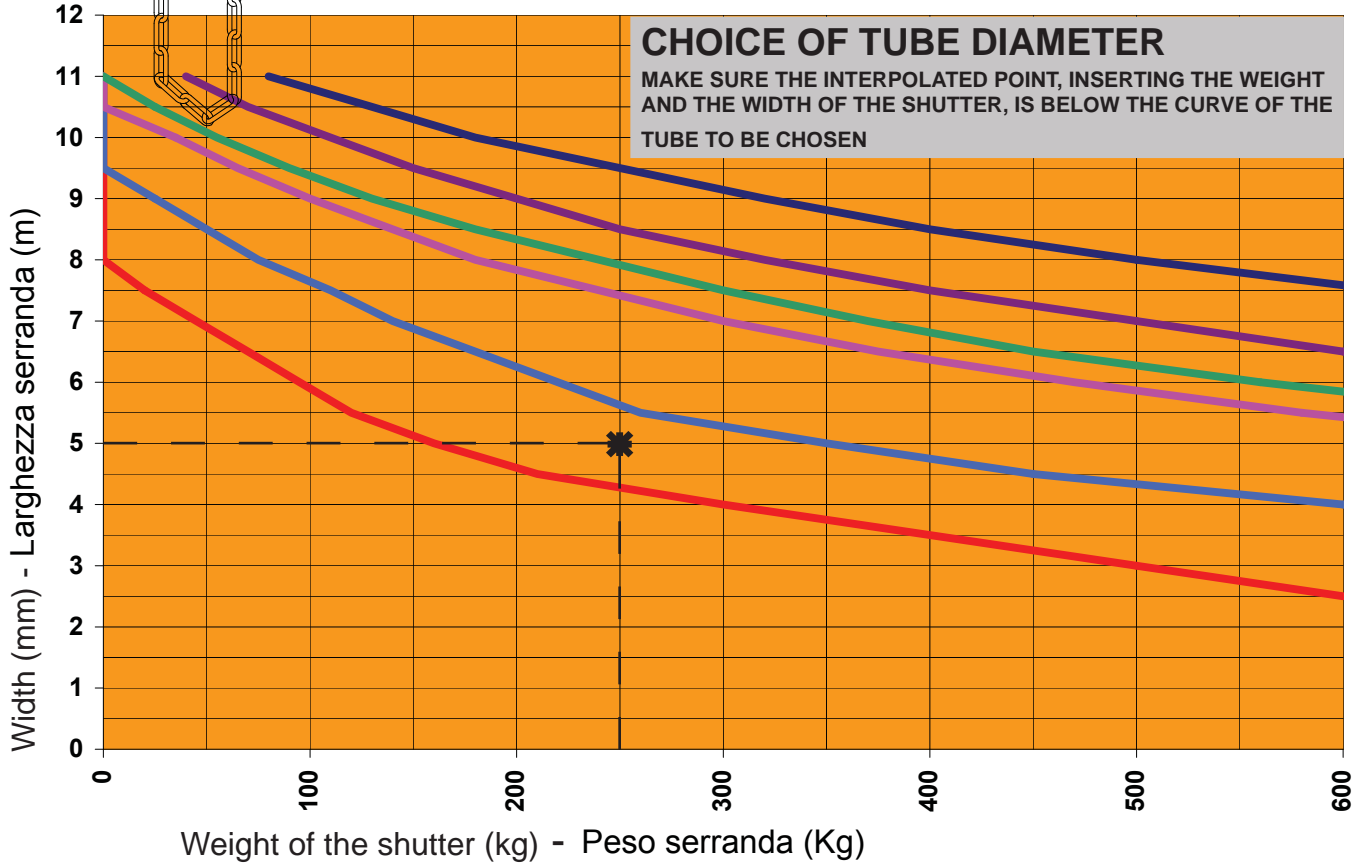


## TECHNICAL FEATURES



MODEL	TITANSIDE 600 (RATIO 1:6)	TITANSIDE 600 (RATIO 1:3)
POWER	600 W	600 W
LIFTING (Ø133)	600 kg	300 kg
TORQUE	412 Nm	206 Nm
MAX. TRAVEL	6 m	6 m
SPEED	4.6 rpm	9.3 rpm
IP	44	44
WORKING TIME	5 min	5 min

230V/50Hz



MAX SHUTTER WEIGHT kg FOR EACH PIPE DIMENSION (*)						
mm	Ø101,6x3,6	Ø133x4	Ø159x4,5	Ø168,3x4,5	Ø177,8x5	Ø193,7x5,4
TS 600 (1:6)	786	600	502	474	378	347
TS 600 (1:3)	393	300	251	237	189	174

(\*) the data shown in the table refer to the actual weight of the shutter

### EXAMPLE: shutter: 250 kg - width 5 m

**STEP 1** - Inserting the data of the shutter in the diagram "choice of tube diameter" shows that: all the pipes can be used except for the diameter Ø101,6 mm. Therefore exclude the pipe Ø101,6 mm before performing the STEP 2

**STEP 2** - From table "max shutter weight" are obtained the possible pipes to be used in the installation:

- TS600 with bracket 1:6 : Ø133 - Ø159 - Ø168,3 - Ø177,8 - Ø193,7
- TS600 with bracket 1:3 : Ø133 - Ø159